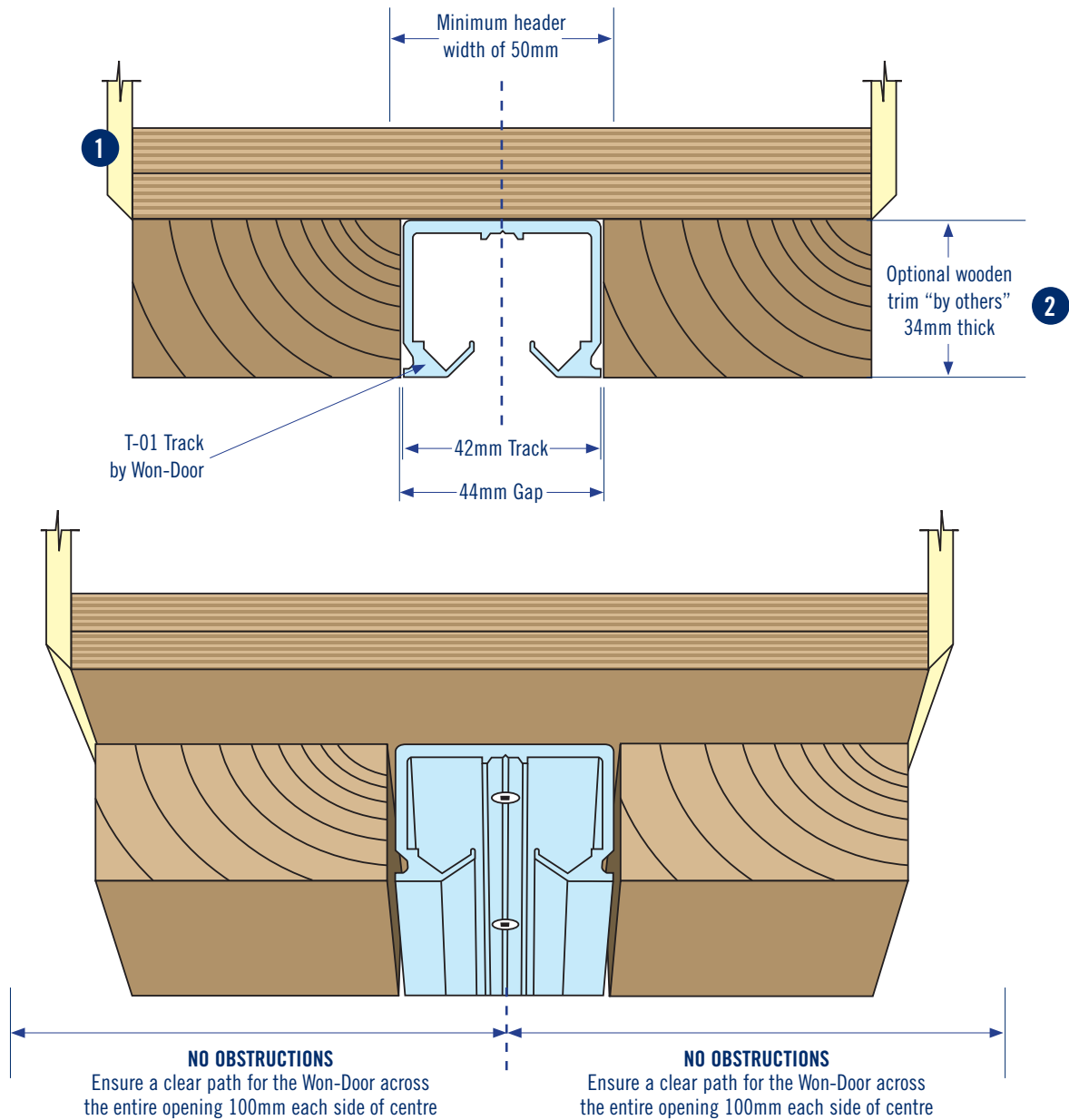




## TRACK & HEADER DETAILS - NARROW TRACK

### Straight door - Manual Operation



1. Plywood or Timber header must be fixed in a manner to support the weight of this door at 9kg m<sup>2</sup>. Header to remain parallel with the floor, maximum level of tolerance +/- 5mm.

2. Optional wooden decorative trim to hide track if required "by others".

**Note:** Ensure there are extra header fixings in the Stack Depth Areas.  
Refer Jamb Details Page for Stack Depth Area Chart.

For further details contact:

Won-Door Australia Pty Ltd.  
Won-Door New Zealand Ltd.

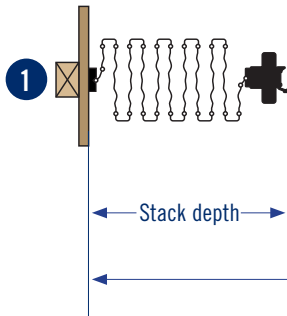
Tel: 1800 682 965  
Tel: 0800 688 555

Email: [info@won-door.com.au](mailto:info@won-door.com.au)  
Email: [info@won-door.co.nz](mailto:info@won-door.co.nz)

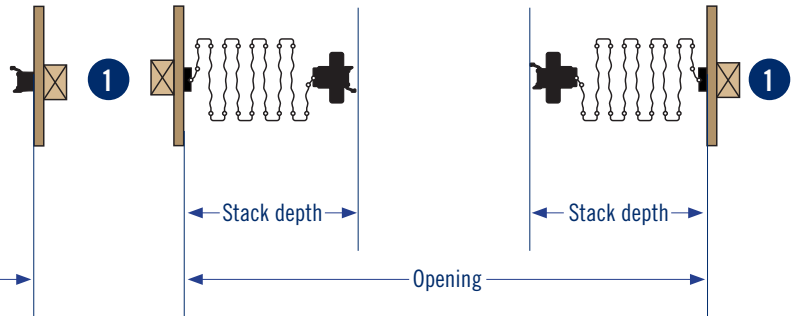


## JAMB DETAILS - REQUIRED (Timber stud fixing behind wall linings)

### SINGLE PARTING



### BI-PARTING



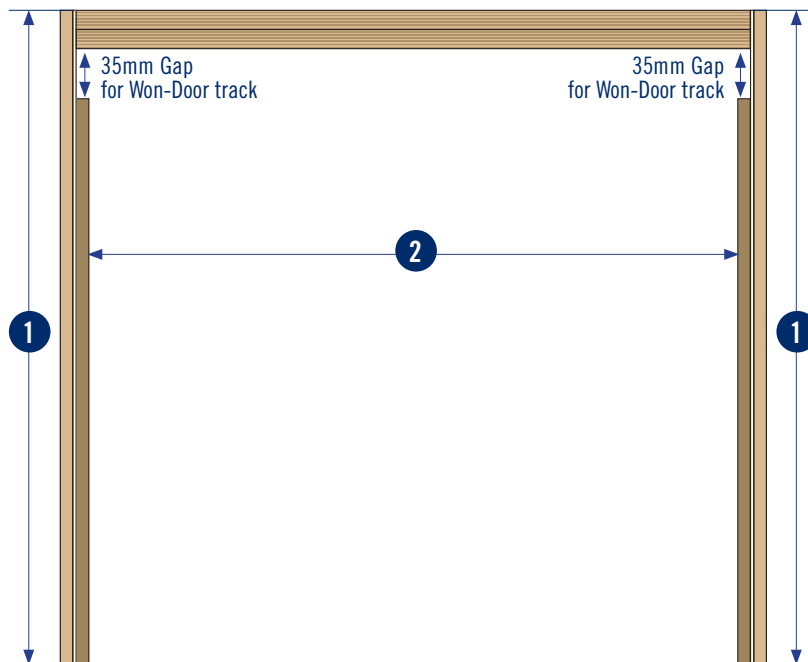
**Stack Depth Ratio:** 125mm per lineal metre of opening, PLUS 64mm for the lead post. **NOTE:** For Bi-Parting doors use half the opening width.

**Stack Depth Area Calculation:**

**Single Parting** = (Opening width (m) x 125) + 64

**Bi-Parting** = (1/2 Opening width (m) x 125) + 64

## JAMB DETAILS - OPTIONAL (Hardwood timber jamb on face of wall linings)



**1. REQUIRED:** Timber stud behind wall lining centred on header to take aluminium jamb.

**2. OPTIONAL:** 75x20mm Hardwood timber jamb "by others" on face of wall linings. Leave a 35mm gap from the underside of plywood header, to top of hardwood jamb.

For further details contact:

Won-Door Australia Pty Ltd.  
Won-Door New Zealand Ltd.

Tel: 1800 682 965  
Tel: 0800 688 555

Email: [info@won-door.com.au](mailto:info@won-door.com.au)  
Email: [info@won-door.co.nz](mailto:info@won-door.co.nz)



## FRONT ELEVATION - LEVEL FLOOR AND OBSTRUCTIONS (NARROW TRACK/HEADER)

